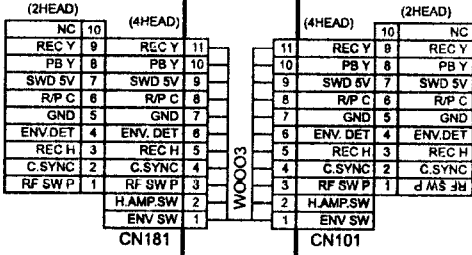


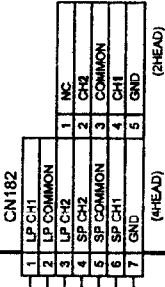
ПЛАТА VP - 1
(4HEAD/2HEAD PRE-AMP)



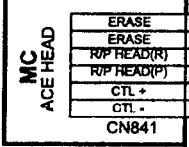
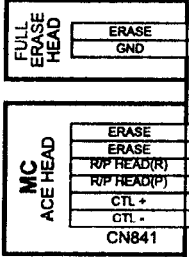
CN181

CN101

W0003



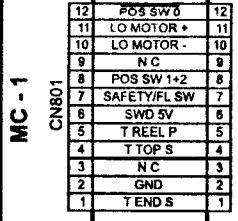
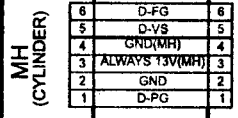
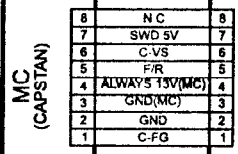
VIDEO HEAD



CN841

CN201

CN353



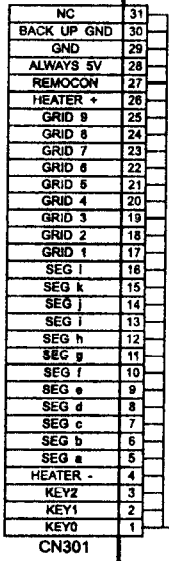
CN801

CN350

CN501

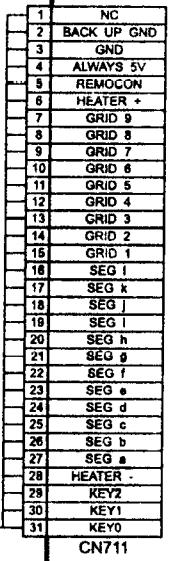
ОСНОВНАЯ ПЛАТА CP - 1

PW - A (POWER SUPPLY) TN - A (TUNER/MOD) SV - A (SERVO CIRCUIT) SY - A (SYSTEM CONTROL) AD - A (AUDIO) VD - A (VIDEO/OSD)



CN301

W0002

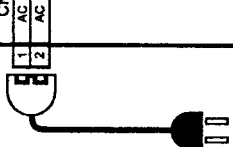
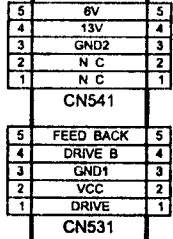


CN711

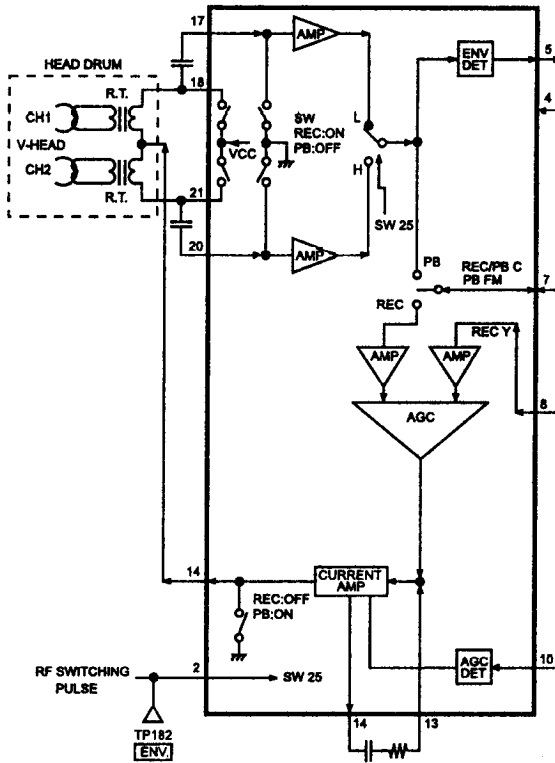
ПЛАТА TM - 1
DISPLAY (FLD) & SWITCH

ОСНОВНЫЕ МЕХАНИЗМЫ
(MECHANISMS)

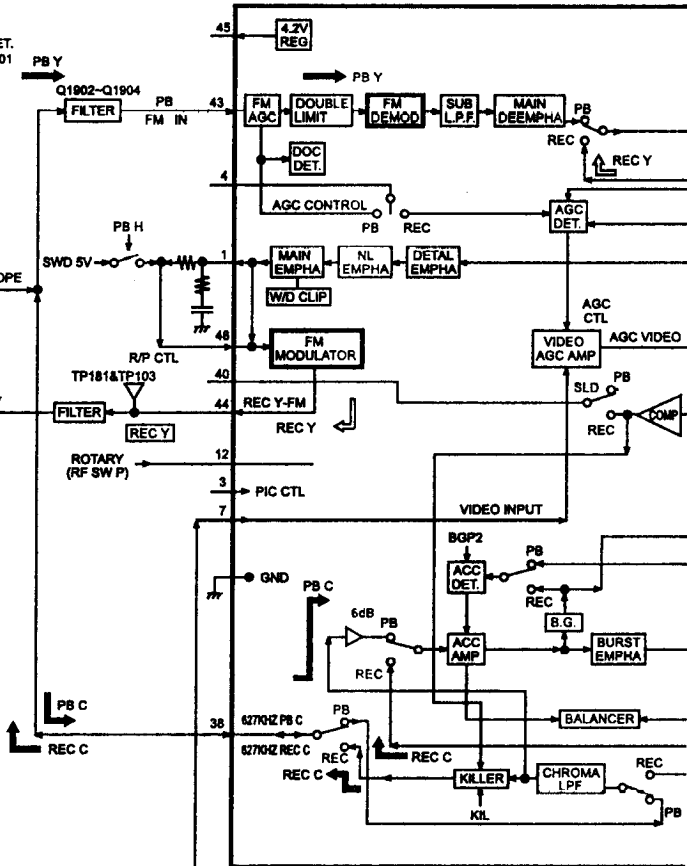
ПЛАТА PW - 1
(POWER CONTROL)



**PRE-AMP UNIT
IC181(LA7411) REC/PRE.AMP**

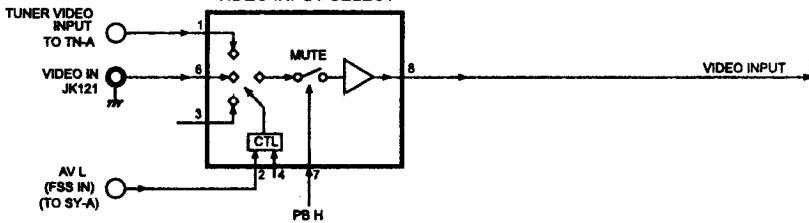


**VIDEO Y/C PROCESS
IC101(LA7436AM)**

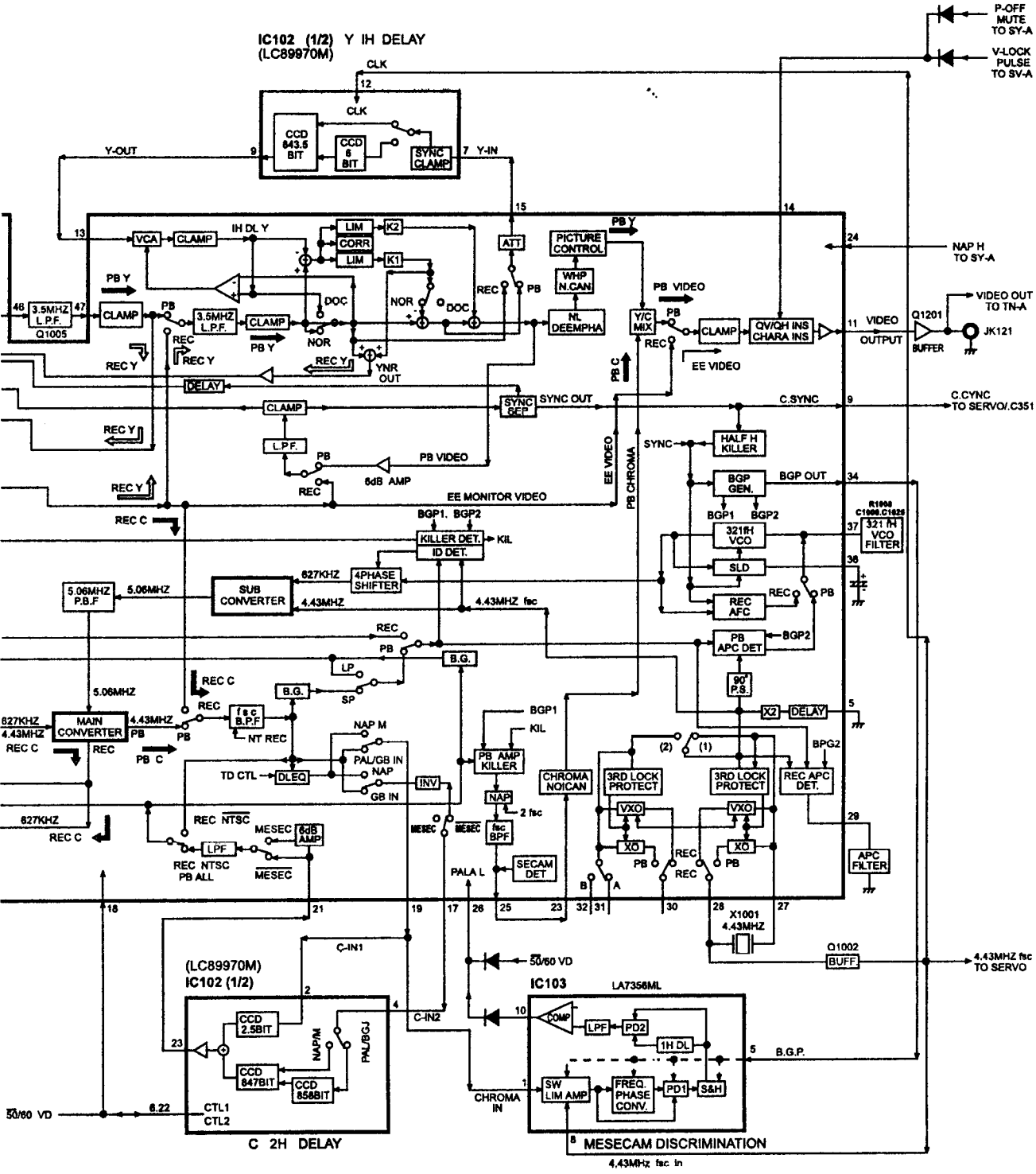


IC111 (LA7221)

VIDEO INPUT SELECT



IC102 (1/2) Y IH DELAY
(LC89970M)



P-OFF MUTE TO SY-A
V-LOCK PULSE TO SV-A

NAP H TO SY-A

VIDEO OUT TO TN-A

C.SYNC TO SERVO/C351

R1008
C1008, C1020
321 MHz
VCO
FILTER

(LC89970M)
IC102 (1/2)

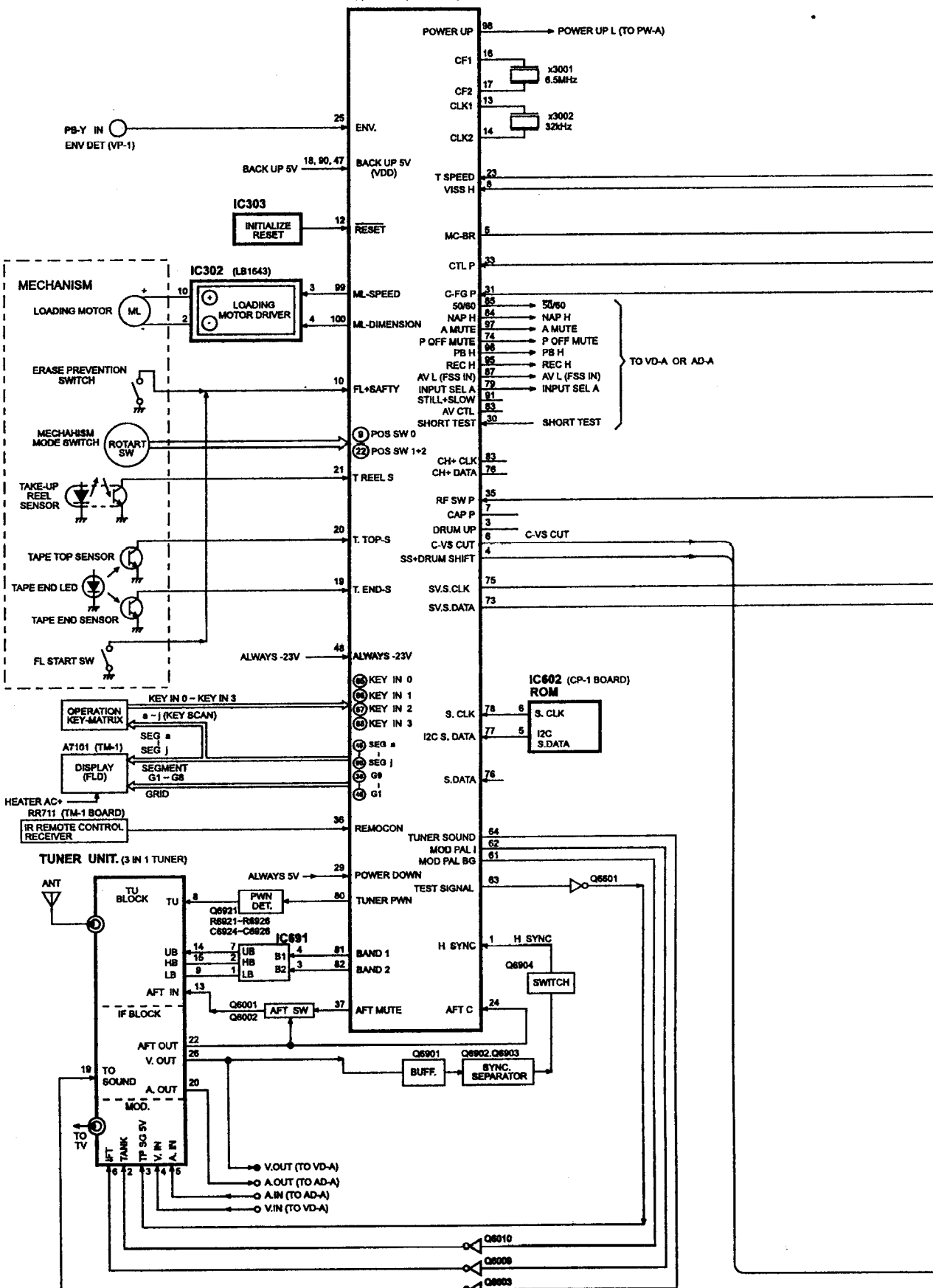
C 2H DELAY

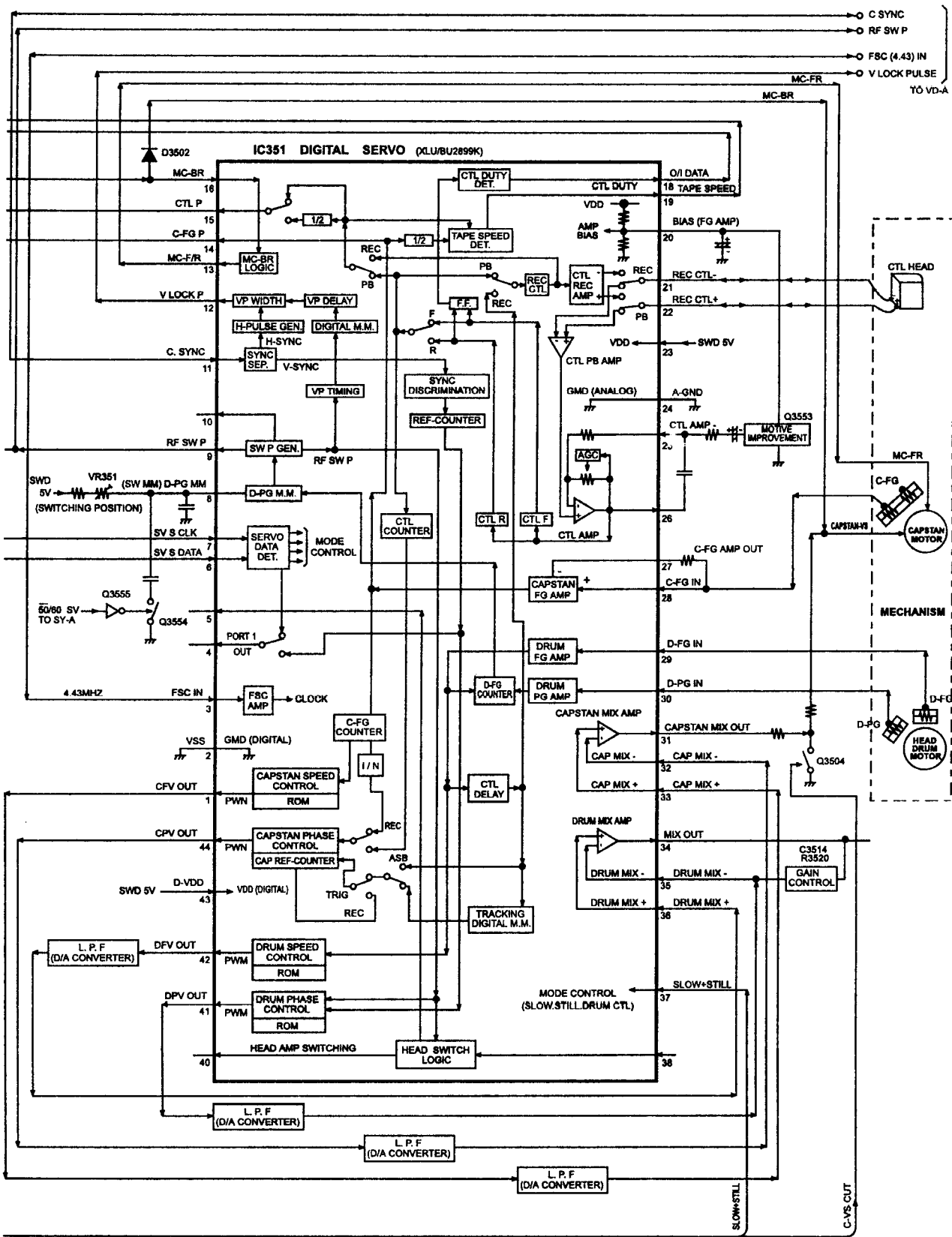
IC103
LA7356ML

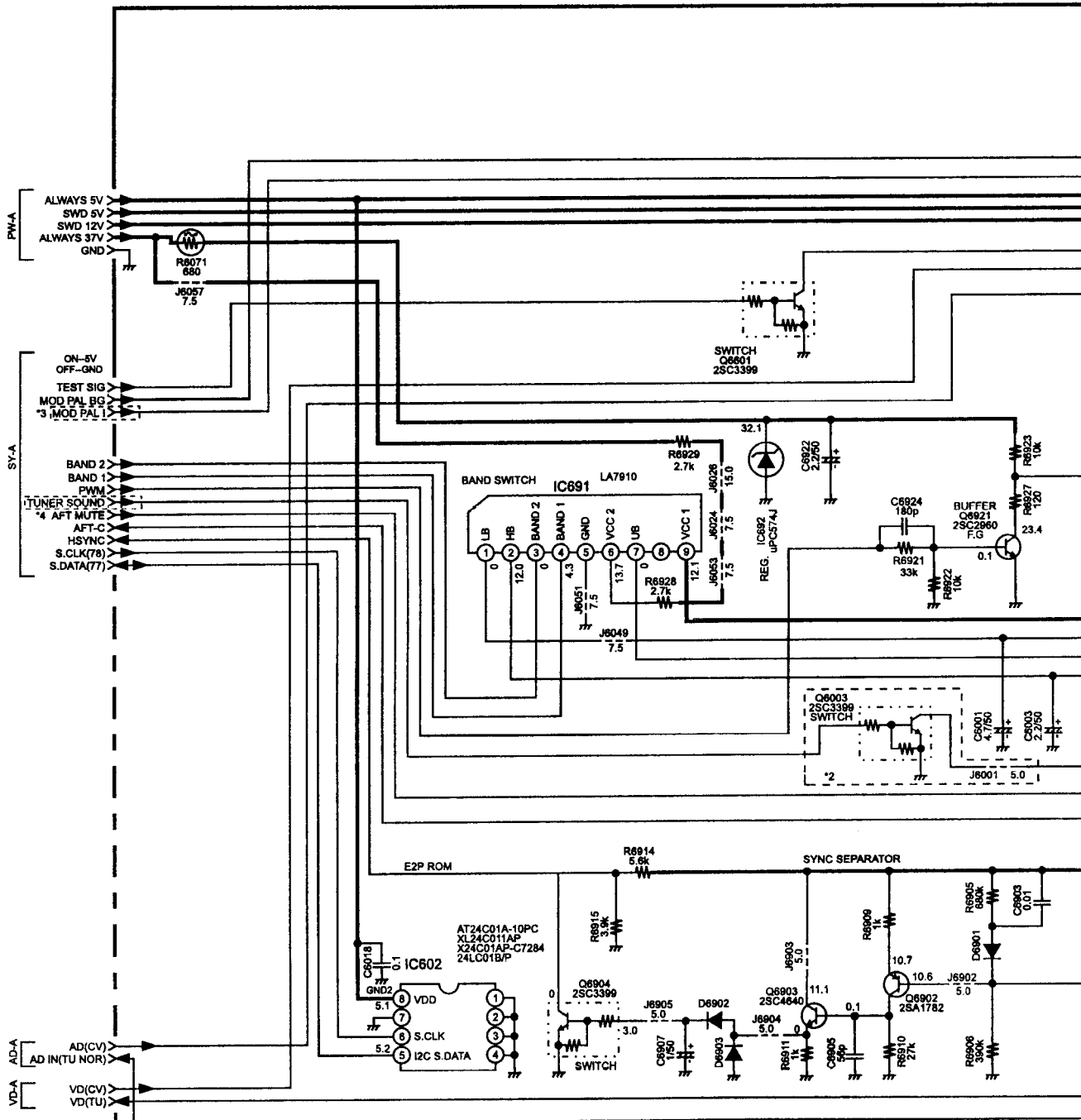
MESECAM DISCRIMINATION

4.43MHz fsc in

IC301 MPU (CP-1 BOARD)
SYSTEM CONTROL, (LC866738) TIMER, TUNING CONTROL





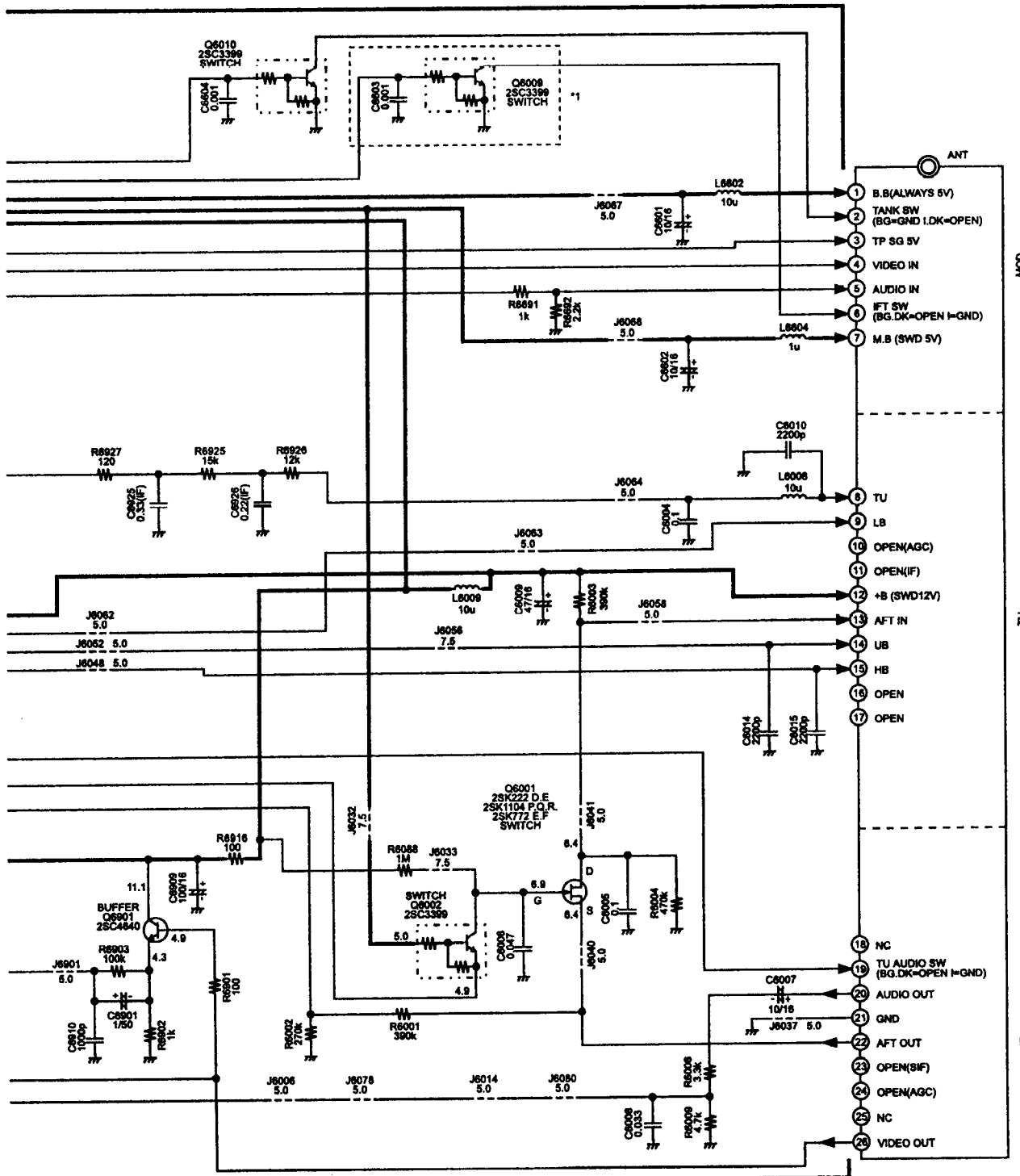


TN-A

NOTE

*1, *2, *3, *4 ... VHR-522 ONLY
 NOT SPECIFIED DIODES : 1SS133 or GMA01
 VOLTAGE : REC (PLAY) MODE

JP=6001-6099, 6601-6699, 6901-6999

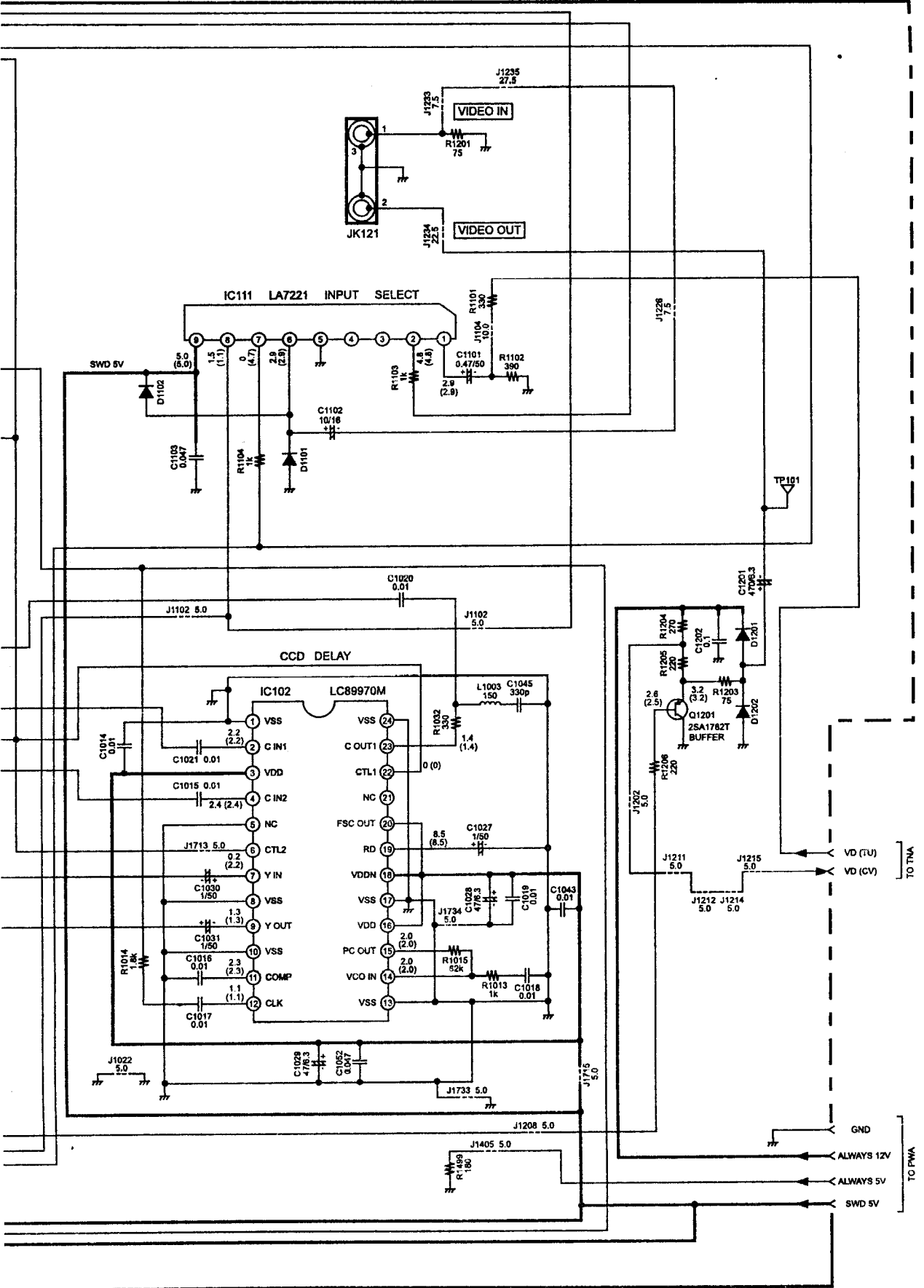


- ANT
- 1 B.B.(ALWAYS 5V)
- 2 TANK SW (BG=GRD I.DK=OPEN)
- 3 TP SG 5V
- 4 VIDEO IN
- 5 AUDIO IN
- 6 IFT SW (BG.DK=OPEN I=GRD)
- 7 M.B (SWD 5V)
- 8 TU
- 9 LB
- 10 OPEN(AGC)
- 11 OPEN(IF)
- 12 +S (SWD12V)
- 13 AFT IN
- 14 UB
- 15 HB
- 16 OPEN
- 17 OPEN
- 18 NC
- 19 TU AUDIO SW (BG.DK=OPEN I=GRD)
- 20 AUDIO OUT
- 21 GND
- 22 AFT OUT
- 23 OPEN(SIF)
- 24 OPEN(AGC)
- 25 NC
- 26 VIDEO OUT

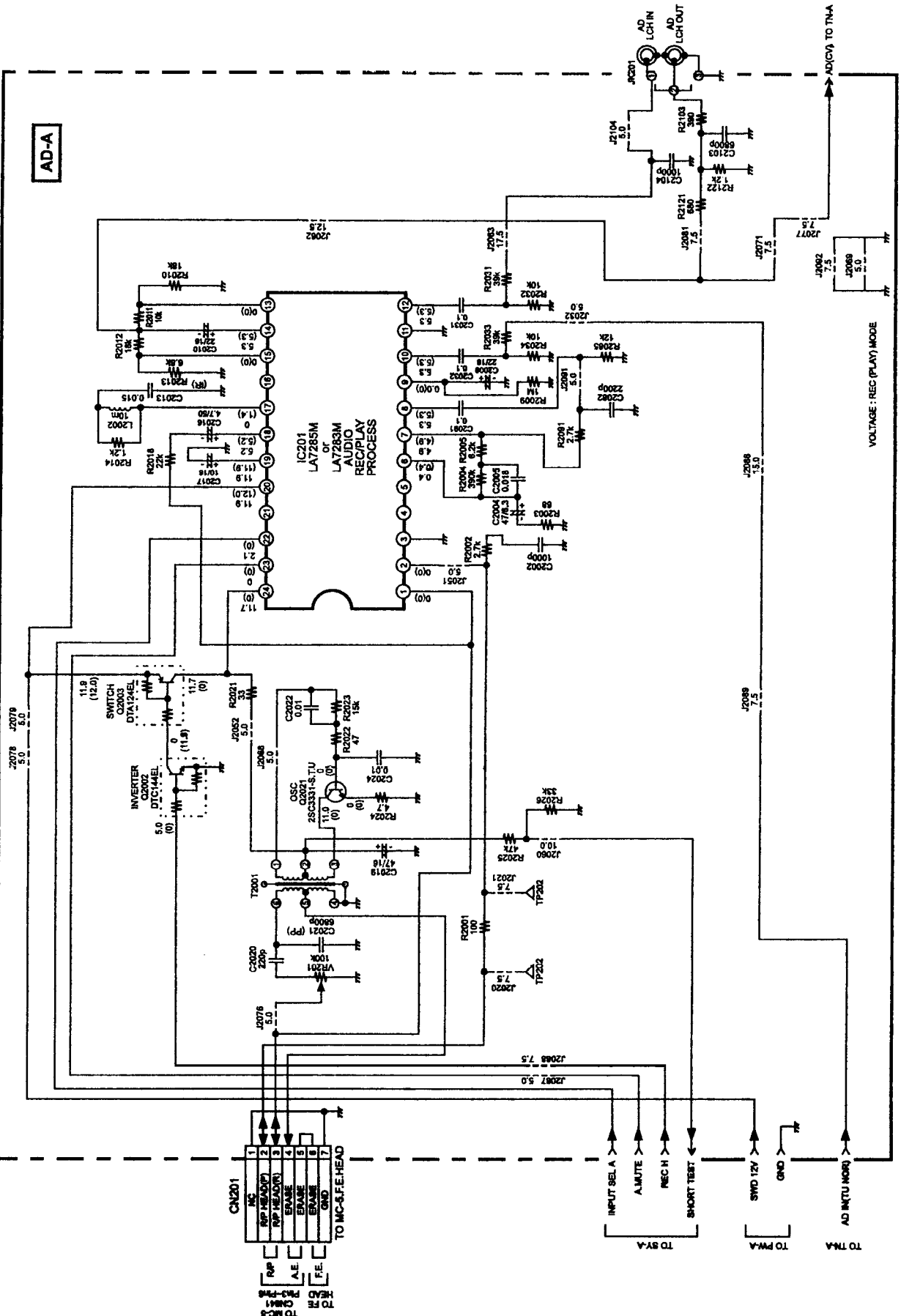
MOD.

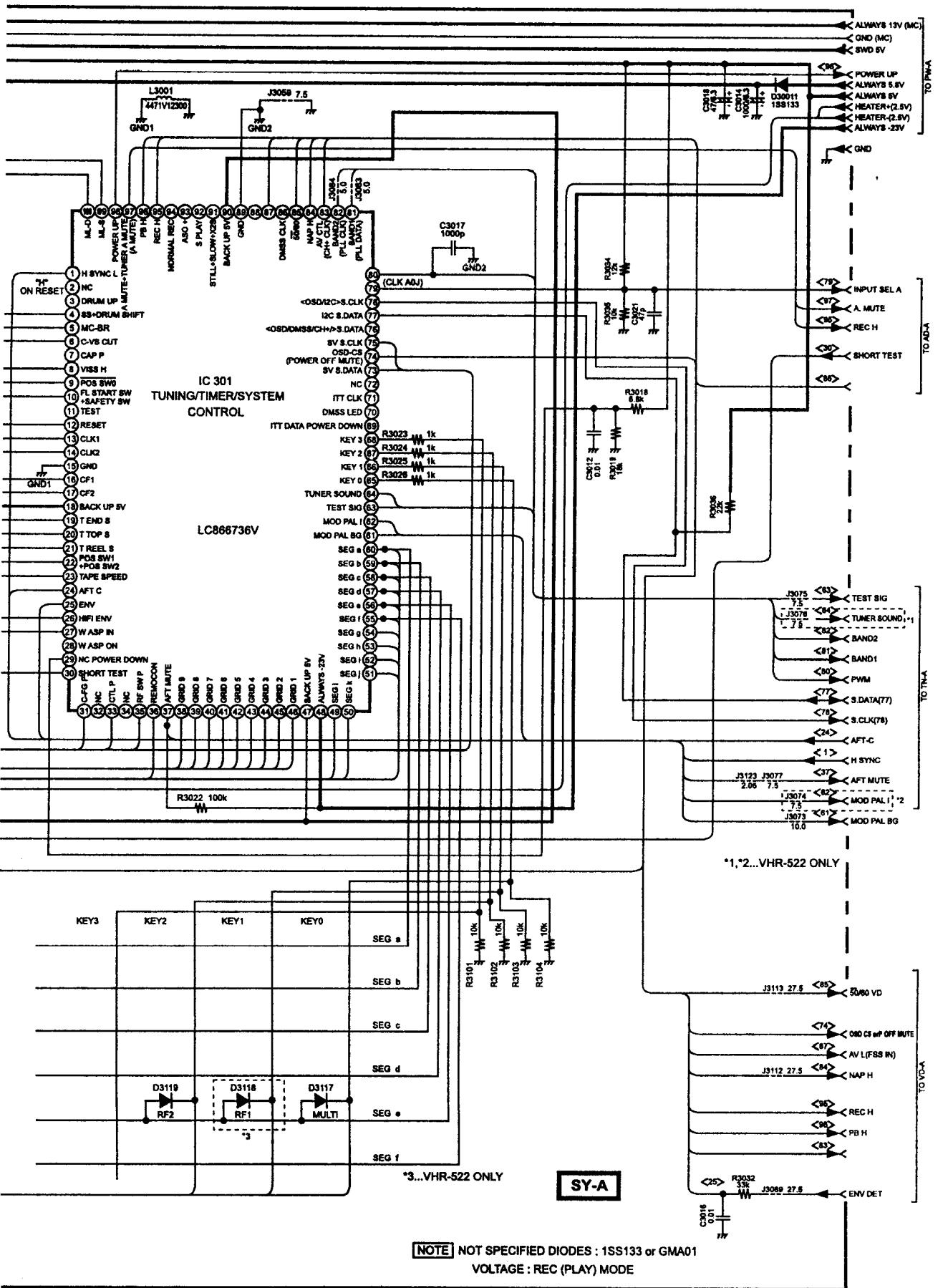
TU

F

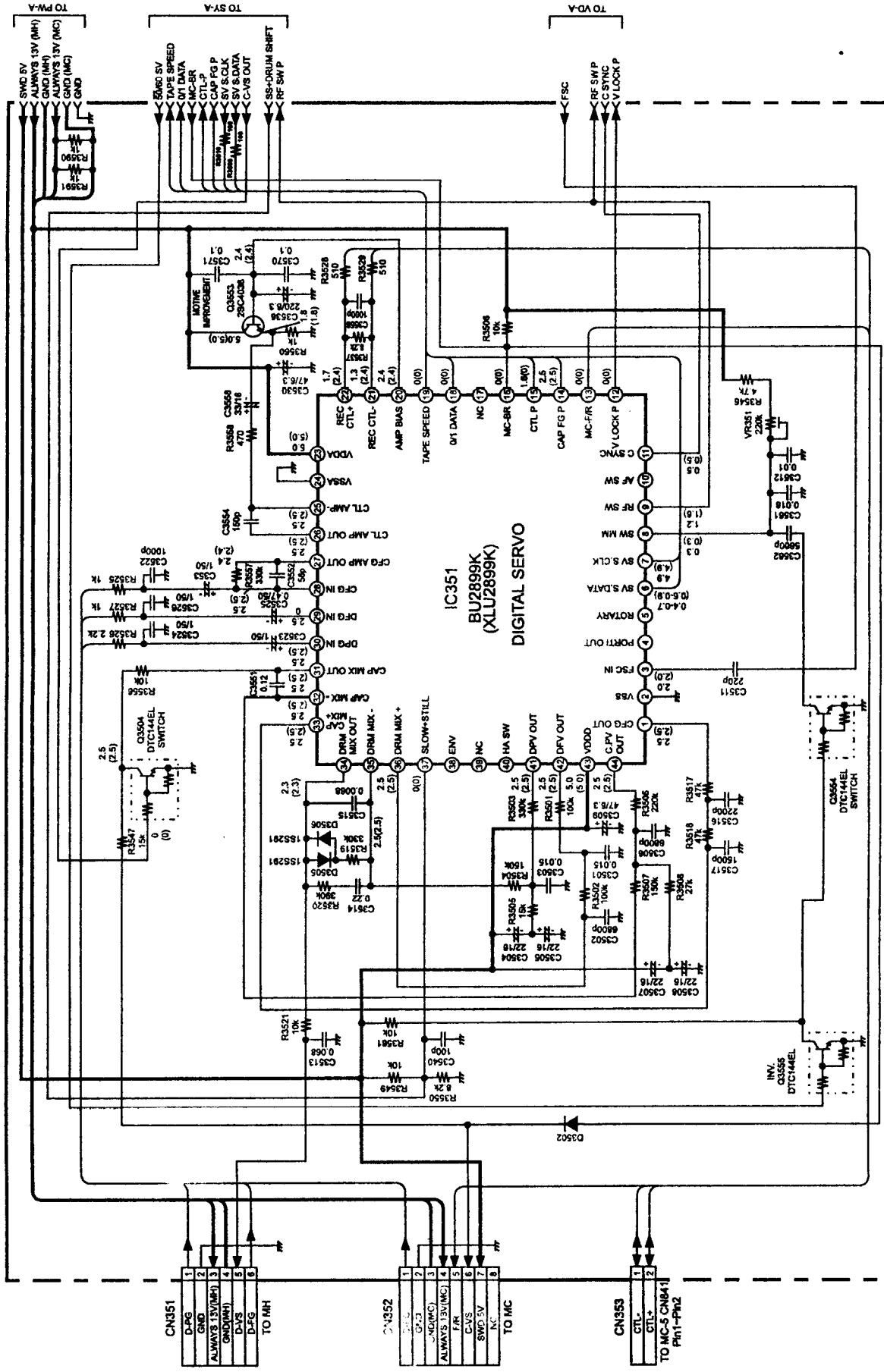


AD-A





[NOTE] NOT SPECIFIED DIODES : 1SS133 or GMA01
 VOLTAGE : REC (PLAY) MODE



**IC351
BU2899K
(XLU2899K)
DIGITAL SERVO**

TO PW-A

| | |
|---|----------------|
| 1 | D-PEG |
| 2 | GND |
| 3 | ALWAYS 13V(MH) |
| 4 | GND(MH) |
| 5 | D-VS |
| 6 | D-FG |
| 7 | TO MH |

TO MC

| | |
|---|----------------|
| 1 | D-PS |
| 2 | GND |
| 3 | ALWAYS 13V(MC) |
| 4 | ALWAYS 13V(MC) |
| 5 | ERK |
| 6 | C-VS |
| 7 | SWD SV |
| 8 | INC |

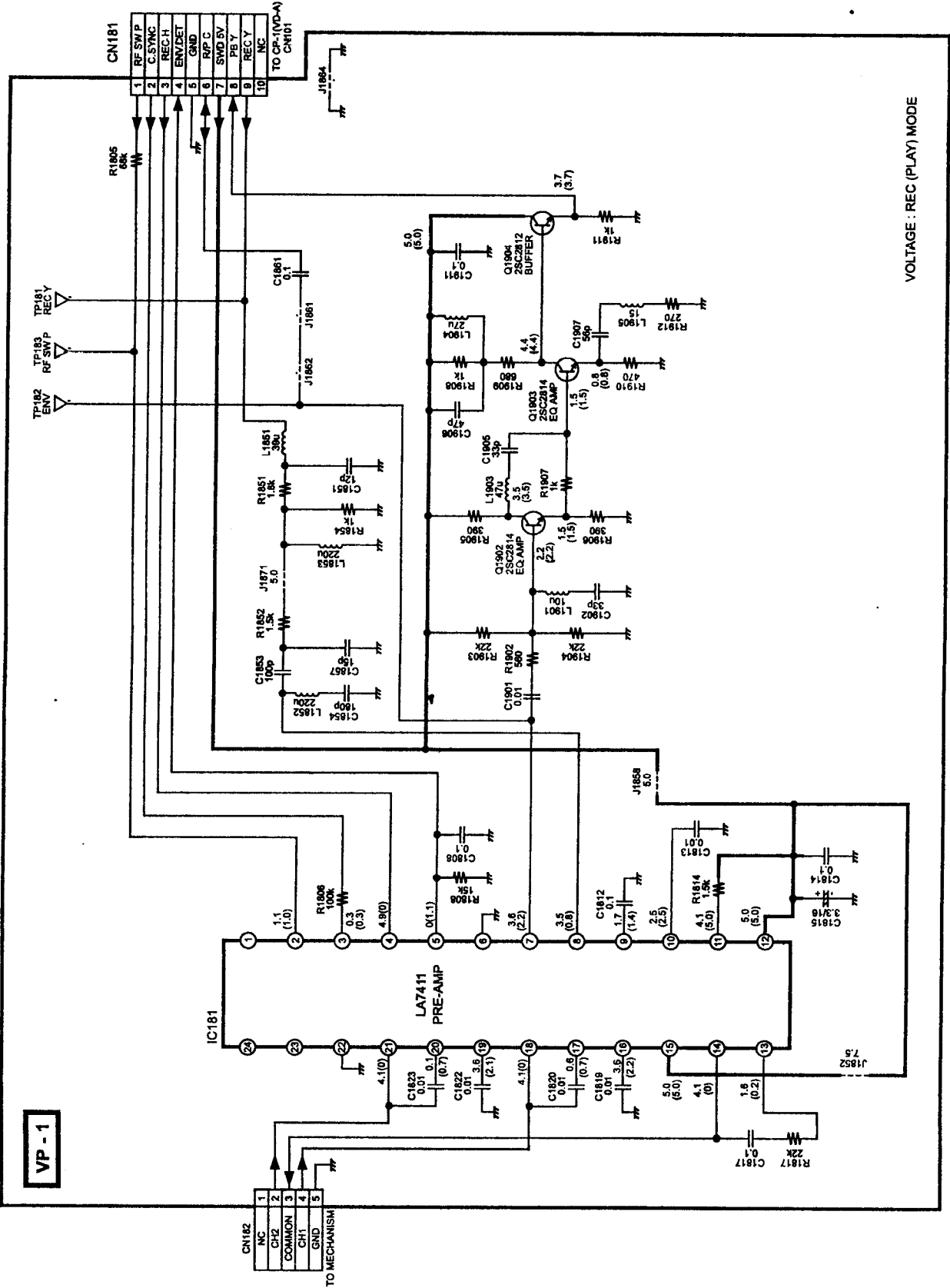
TO MC-S CNR41
PH1-PH2

| | |
|---|------|
| 1 | CTL- |
| 2 | CTL+ |

SV-A

NOTE NOT SPECIFIED DIODES : 1SS133 or GMA01
VOLTAGE : REC (PLAY) MODE

VP - 1



VOLTAGE : REC (PLAY) MODE

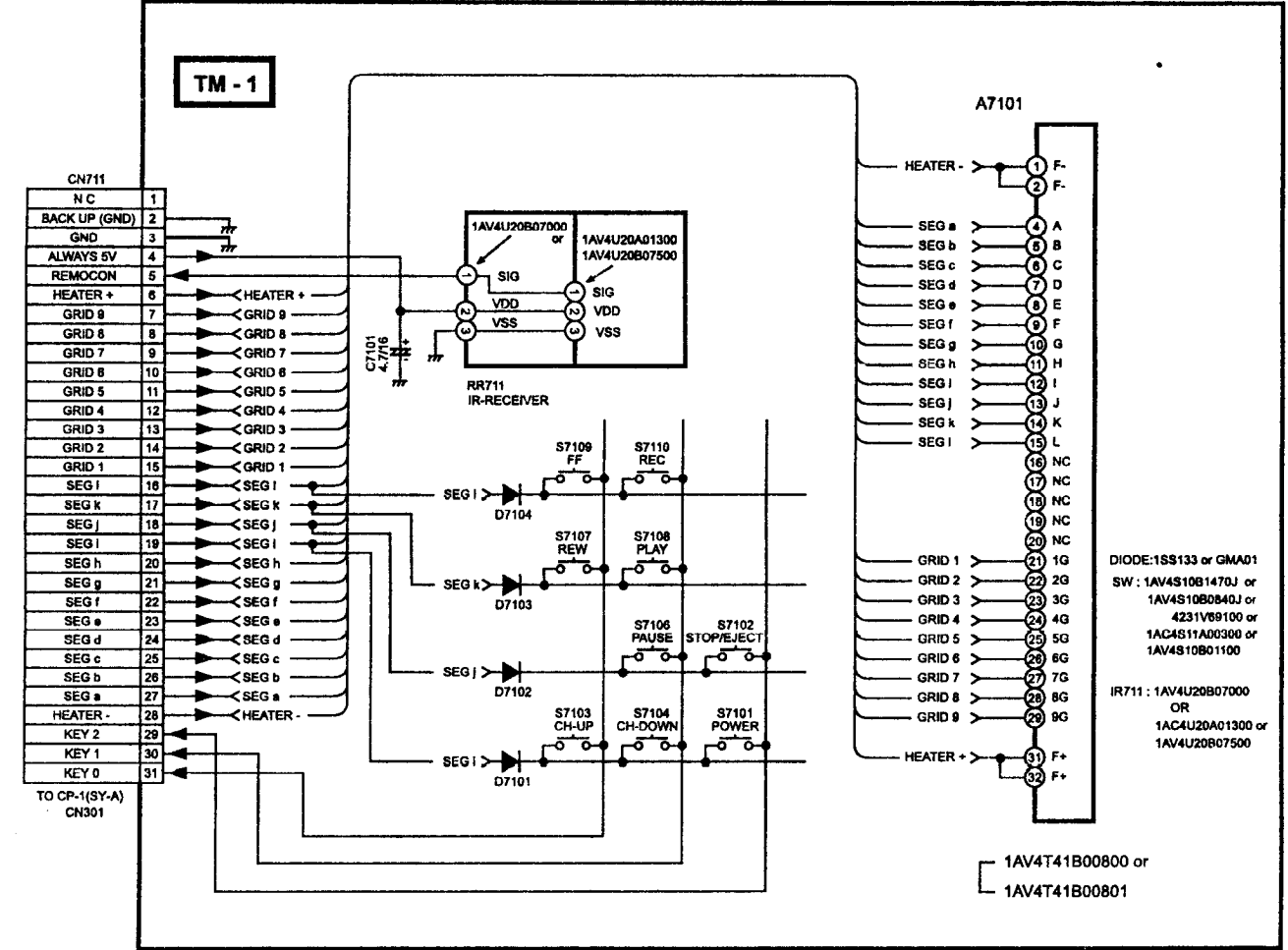
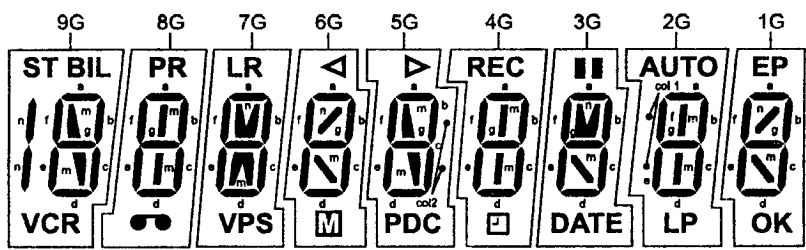


Рис. 4.15. Принципиальная схема платы оперативного управления и дисплея TM-1



a)

| GRID \ SEGMENT | 9G | 8G | 7G | 6G | 5G | 4G | 3G | 2G | 1G |
|----------------|-----|----|-----|----|------|-----|------|------|----|
| a | ST | PR | L | ◀ | ▶ | REC | ▬ | AUTO | EP |
| b | n | — | n | n | — | — | n | — | n |
| c | a | a | a | a | a | a | a | a | a |
| d | b | b | b | b | b | b | b | b | b |
| e | c | c | c | c | c | c | c | c | c |
| f | d | d | d | d | d | d | d | d | d |
| g | e | e | e | e | e | e | e | e | e |
| h | f | f | f | f | f | f | f | f | f |
| i | g | g | g | g | g | g | g | g | g |
| j | m | m | m | m | m | m | m | m | m |
| k | BIL | — | VPS | — | col2 | — | — | col1 | — |
| l | VCR | ☎ | R | M | PDS | ☐ | DATE | LP | OK |

б)